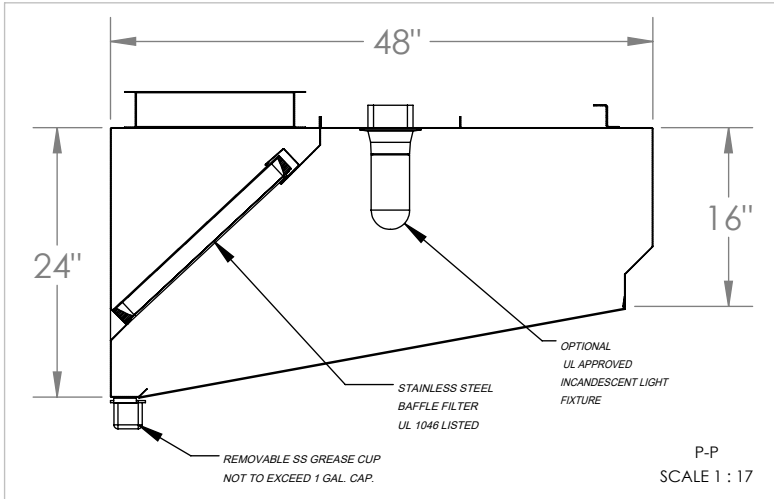
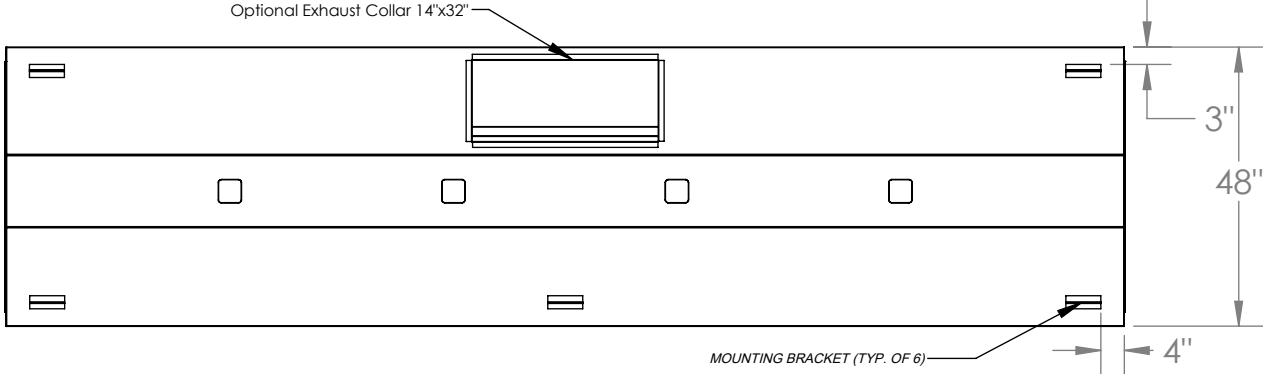
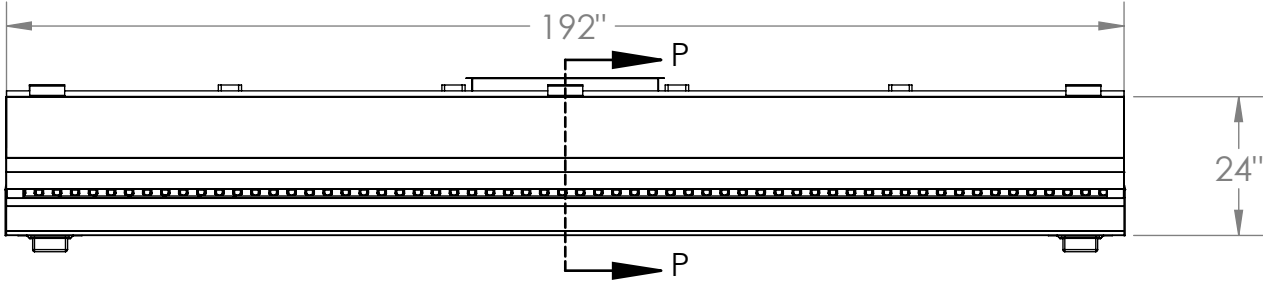


VSE48-16

STAINLESS STEEL EXHAUST HOOD N.S.F. LISTED. CONFORMS TO NFPA96

Hood Constructed with continuous liquid-tight weld in conformance to IMC 2012 507.7.1.

Hood material: 18 Gauge 430 STAINLESS STEEL (#3 polish) where exposed.

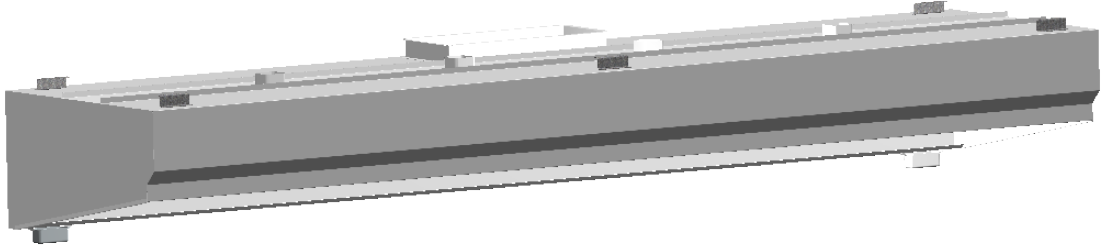



MODEL INFORMATION						
TYPE	DIMENSIONS			CFM SPECS		WEIGHT
	LENGTH	WIDTH	HEIGHT	EXHAUST PLENUM	SUPPLY PLENUM	
1	192"	48"	24"	4835 @ 0.5 ESP	3867 @ 0.12 ESP	378 lbs

OBS.: Installing contractor have the responsibility to ensure hood clearance from limited-combustible and combustible materials is compliant with local code requirements.

STANDARD COMPONENTS					
MOUNTING BRACKET 12-GAUGE GALVANIZED	Grease Drain	Grease Cup Stainless Steel NSF	Grease Filter Stainless Steel UL 1046		
QTY	QTY	QTY	QTY	Length	Height
6	2	2	0	16"	20"
			1	20"	20"
			7	25"	20"

SUGGESTED COMPONENTS					
Exhaust Collar		Standoff <input type="checkbox"/> NONE <input type="checkbox"/> 3"	Incandescent Light Fixture UL Listed (Included Component)	Shipping Crate	
16-Gauge Cold Rolled Build				Dimensions (in) and Weight (lb)	
QTY	Size	<input type="checkbox"/>	QTY	Length:	Weight:
1	14" x 32"			4	196"
				Width:	52"
				Height:	32"



 PO BOX 47607 - ATLANTA, GA 30360 PHONE: 770.936.0770 - www.superiorhoods.com		PROJECT		VSE48-16	
		TITLE			
APPROVED		SIZE B	CODE		DWG NO
CHECKED					REV 01
DRAWN	PRODUCTION	2023	SCALE: 1:33	WEIGHT: 378 lbs	SHEET: 1/1