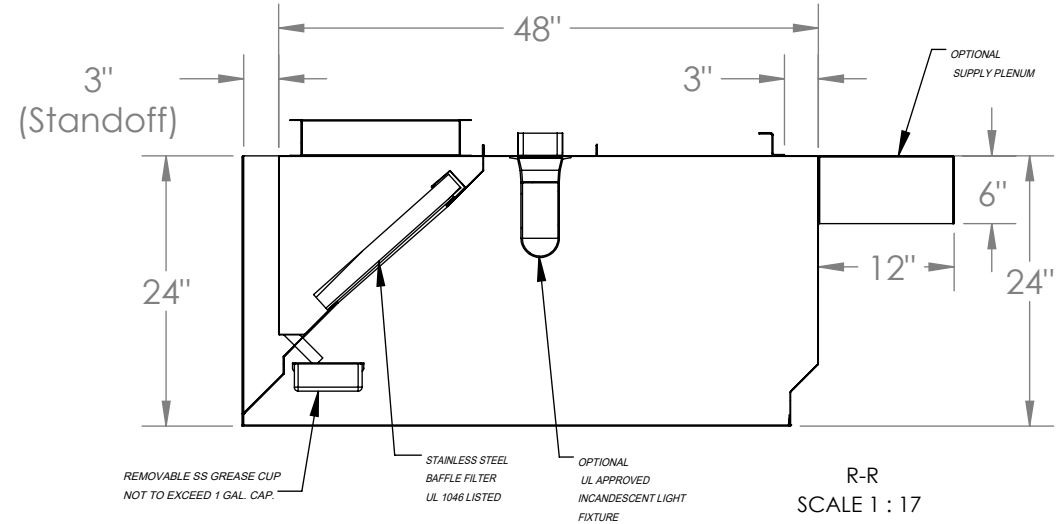
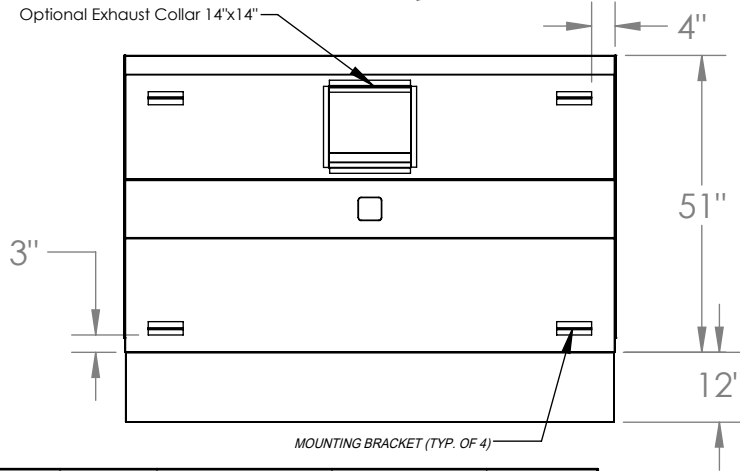
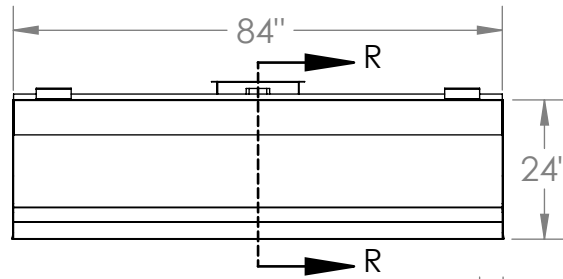


VSE48 ETL-7

STAINLESS STEEL EXHAUST HOOD N.S.F. LISTED. CONFORMS TO NFPA96

Hood Constructed with continuous liquid-tight weld in conformance to IMC 2012 507.7.1.

Hood material: 18 Gauge 430 STAINLESS STEEL (#3 polish) where exposed.



MODEL INFORMATION

TYPE	DIMENSIONS			CFM SPECS		WEIGHT
	LENGTH	WIDTH	HEIGHT	EXHAUST PLENUM	SUPPLY PLENUM ¹	
1	84"	51"	24"	2115 @ 0.5 ESP	1692 @ 0.12 ESP	242 lbs

OBS.:
Installing contractor have the responsibility to ensure hood clearance from limited-combustible and combustible materials is compliant with local code requirements.

¹ Sold Separately

STANDARD COMPONENTS INCLUDED

MOUNTING BRACKET 12-GAUGE GALVANIZED	Incandescent Light Fixture	Standoff	Grease Drain	Grease Cup Stainless Steel NSF	Grease Filter Stainless Steel UL 1046		
QTY	UL Listed (Included Component)	3" back standoff included	QTY	QTY	QTY	Length	Height
4	QTY		1	1	0	16"	16"
	1		1	1	3	20"	16"
	1	1	1	1	25"	16"	

SUGGESTED COMPONENTS

Exhaust Collar	Side Standoff	Shipping Crate	
		Dimensions (in) and Weight (lb)	
16-Gauge Cold Rolled Build	<input type="checkbox"/> NONE <input type="checkbox"/> 3" <input type="checkbox"/> _____	Length:	88"
		Width:	55"
		Height:	32"
QTY	Size	Weight:	312 lbs
1	14" x 14"		



PROJECT
VSE48 ETL-7

TITLE
**VSE48 ETL HOOD MODEL STANDARD
SPEC SHEET**

APPROVED	SIZE B	CODE	DWG NO	REV 01
CHECKED	SCALE: 1:33		WEIGHT: 242 lbs	SHEET: 1/1
DRAWN	PRODUCTION	2023		

